

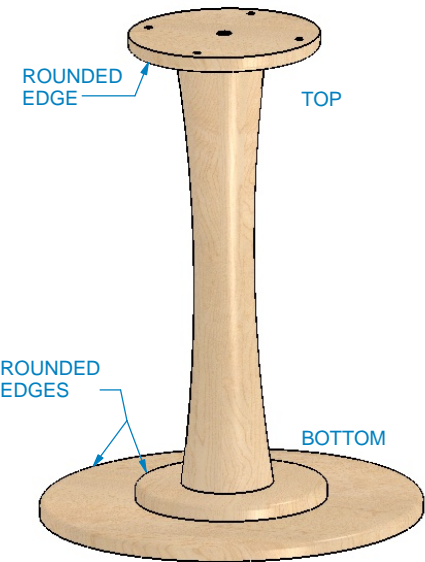
INCLUDED IN PACKAGE:

WOOD PIECES: (1 EACH)

- TOP 12" DISK
- TURNED LEG WITH DOWEL CENTER
- BOTTOM 12" DISK
- 24" DISK

HARDWARE:

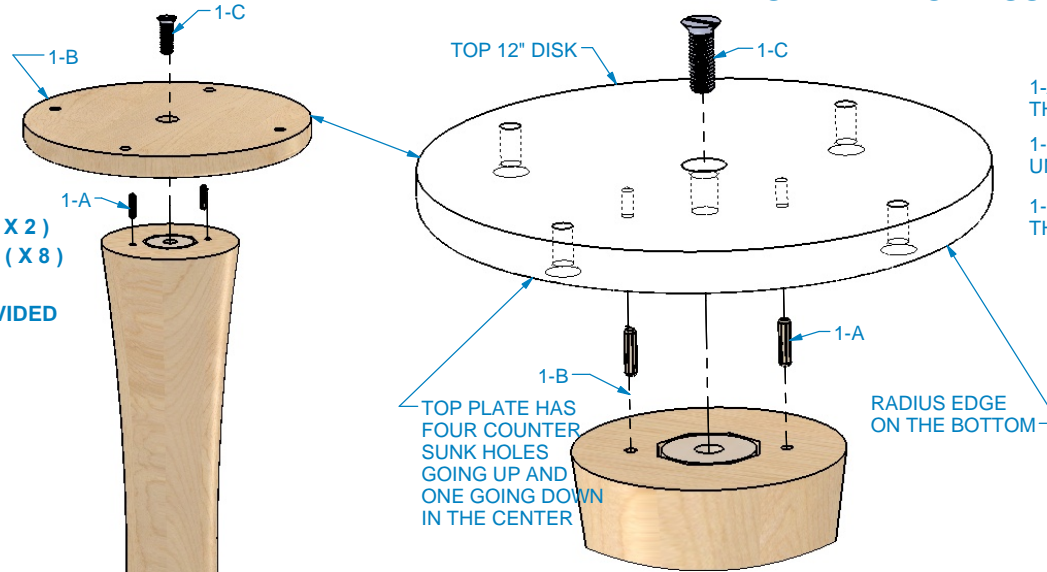
- 1 1/2" FLAT HEAD SCREW 1/2-13 THREAD (X 2)
- 1 1/2" FLAD HEAD SCREW 3/8-16 THREAD (X 8)
- 3/8-16 THREADED INSERTS (X 4)
- "PROVIDED FOR USE IN TABLE TOP PROVIDED BY CUSTOMER"
- 1/4" X 1" WOODEN DOWELS (X 4)



TOP

BOTTOM

STEP 1 - TOP ASSEMBLY



1-A) INSERT 1/4" X 1" WOODEN DOWELS (X 2) INTO THE PRE DRILLED HOLES IN THE TOP OF LEG

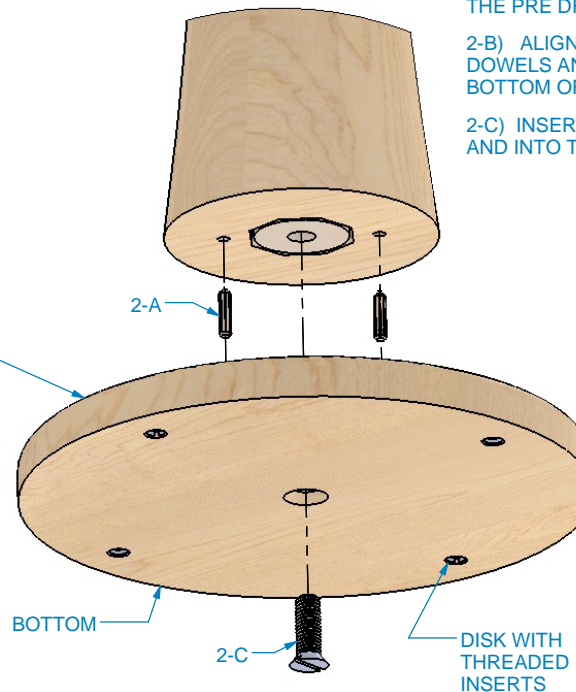
1-B) ALIGN AND PUSH 12" DISK ONTO DOWELS UNTIL DISK STOPS AT TOP OF LEG.

1-C) INSERT SCREW THROUGH DISK AND INTO THE THREADED INSERT IN THE LEG AND TIGHTEN.

TOP PLATE HAS FOUR COUNTER SUNK HOLES GOING UP AND ONE GOING DOWN IN THE CENTER

RADIUS EDGE ON THE BOTTOM

STEP 2 - BOTTOM ASSEMBLY



2-A) INSERT 1/4" X 1" WOODEN DOWELS (X 2) INTO THE PRE DRILLED HOLES IN THE BOTTOM OF LEG

2-B) ALIGN AND PUSH 12" BOTTOM DISK ONTO THE TWO DOWELS AND PUSH TOGETHER UNTIL DISK STOPS AT BOTTOM OF LEG

2-C) INSERT SCREW THROUGH CENTER HOLE OF DISK AND INTO THE THREADED INSERT IN THE LEG AND TIGHTEN.

BOTTOM

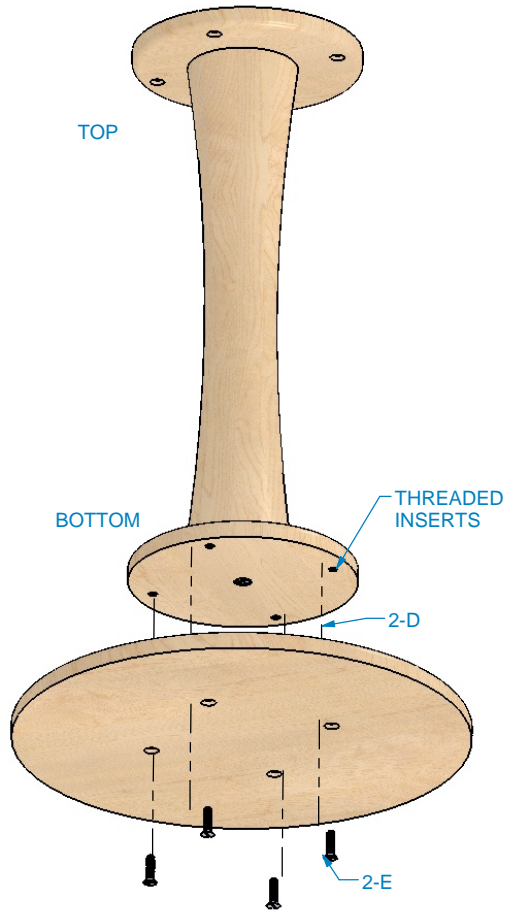
2-C

DISK WITH THREADED INSERTS

STEP 2 - BOTTOM ASSEMBLY CONTINUED

2-D ALIGN THE COUNTER SUNK HOLES ON THE 24" BOTTOM DISK WITH THE 12" BOTTOM DISK

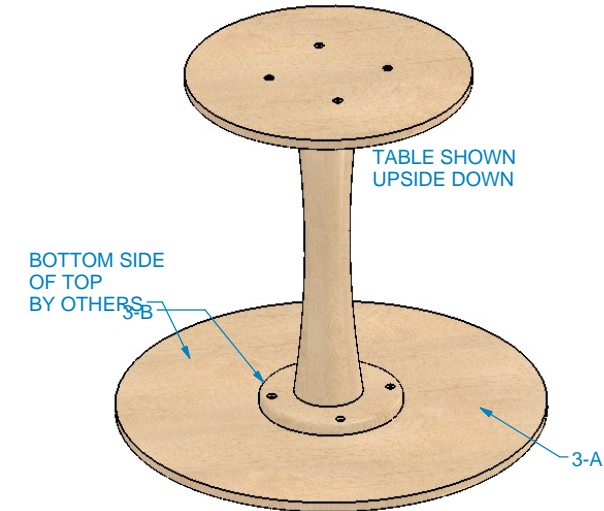
2-E INSERT THE SCREWS THROUGH THE HOLES IN THE 24" BOTTOM DISK AND TIGHTEN THEM INTO THE INSERTS ON THE BOTTOM OF THE 12" DISK.



STEP 3 - PREP TOP BY OTHERS WITH THREADED INSERTS.

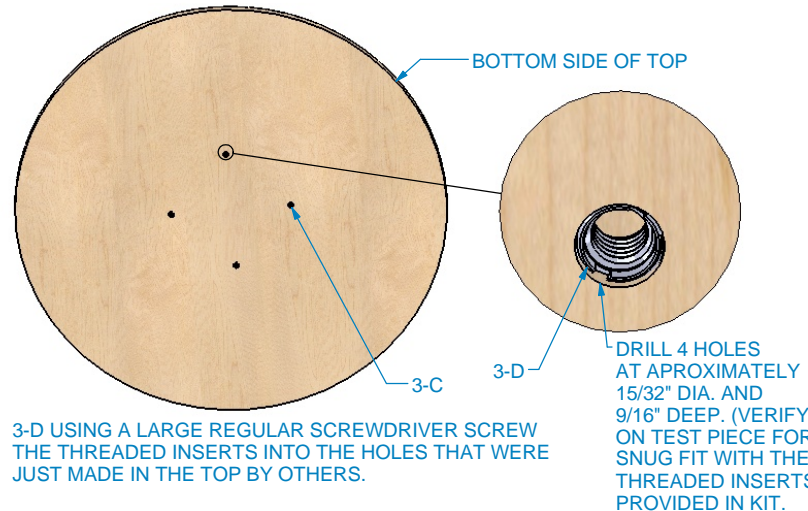
3-A FOR EASE, PLACE THE TOP BY OTHERS WITH TOP DOWN ON A WORKBENCH AND POSITION THE ASSEMBLED TABLE KIT WITH TOP DOWN AND REST ON THE BOTTOM FACE OF THE TOP.

3-B ONCE THE TABLE KIT HAS BEEN CENTERED ON THE BOTTOM SIDE OF THE TOP BY OTHERS TAKE A PENCIL AND MARK THE LOCATIONS OF EACH OF THE FOUR COUNTERSUNK HOLES ONTO THE BOTTOM SIDE OF THE TOP.



3-C USING THE LOCATIONS FROM THE MARKED HOLES ON THE PREVIOUS STEP, DRILL 4 SHALLOW HOLES USING A 15/32" +/- DRILL BIT (TEST IN A SCRAP PIECE FIRST TO VERIFY A TIGHT FIT). DRILL DOWN ENOUGH TO ACCEPT THE THREADED INSERTS (APPROXIMATELY 9/16" DEEP).

NOTE: USE A DRILL STOP OR BLOCK SPACER TO AVOID GOING ALL THE WAY THROUGH THE TOP.

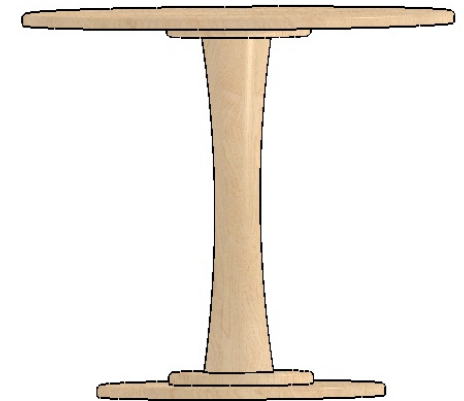
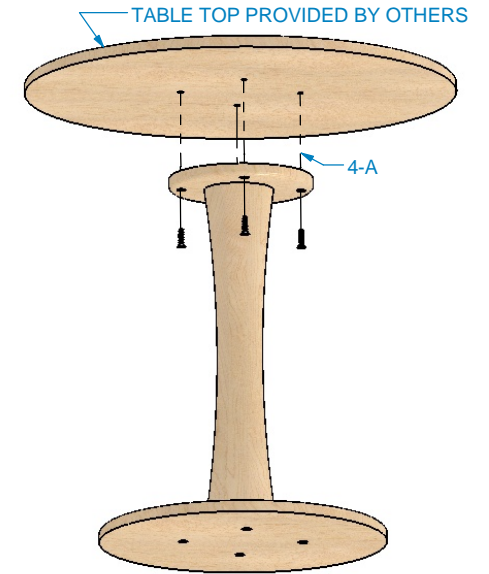


3-D USING A LARGE REGULAR SCREWDRIVER SCREW THE THREADED INSERTS INTO THE HOLES THAT WERE JUST MADE IN THE TOP BY OTHERS.

STEP 4 - INSTALL TOP BY OTHERS ONTO THE TABLE LEG KIT

4-A ALIGN TOP BY OTHERS WITH THE COUNTERSUNK HOLES ON THE TOP 12" DISK OF TABLE KIT.

4-B ONCE ALIGNED, SCREW THE FLAT HEAD SCREWS INTO THE THREADED INSERTS THAT WERE INSTALLED IN STEP 3-D



COMPLETED ASSEMBLY