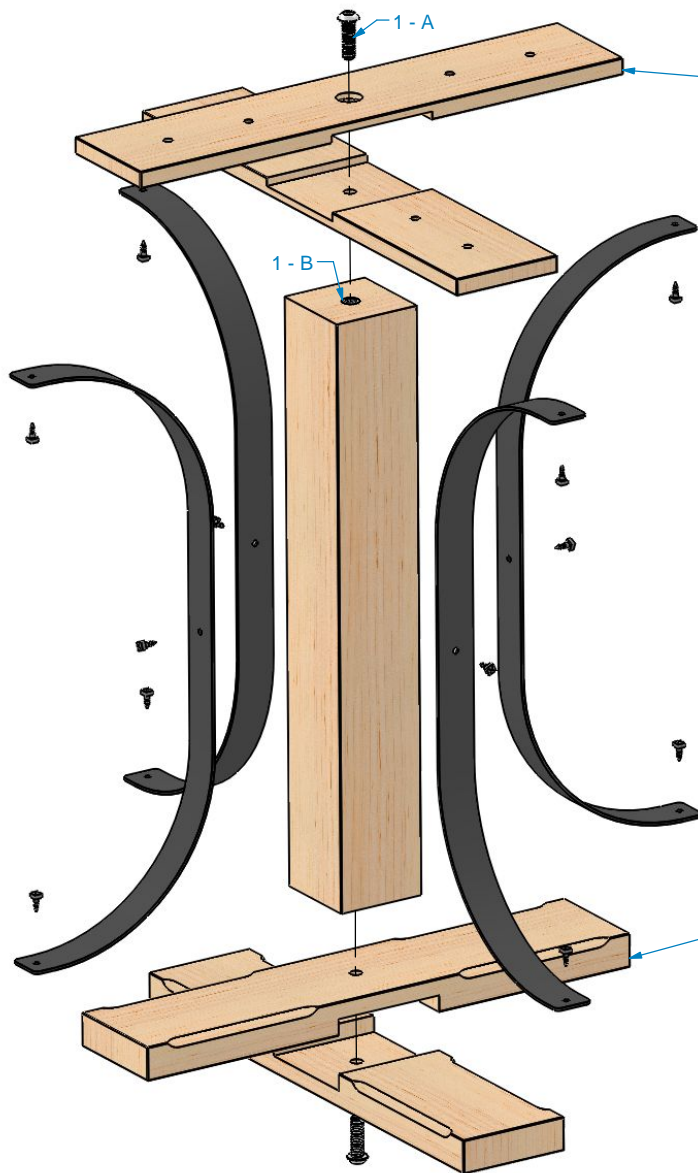
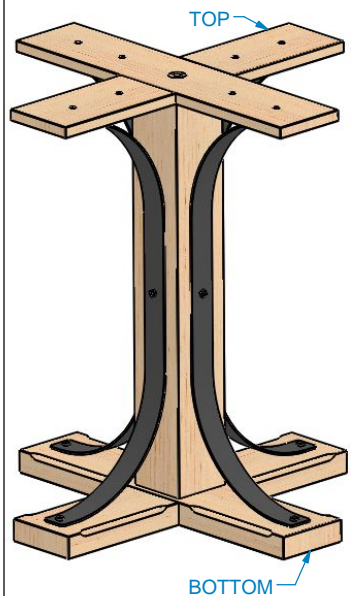


**INCLUDED IN PACKAGE:**

- WOOD PIECES:**
- 2) TOP PIECES
  - 2) BOTTOM PIECES
  - 1) VERTICAL LEG

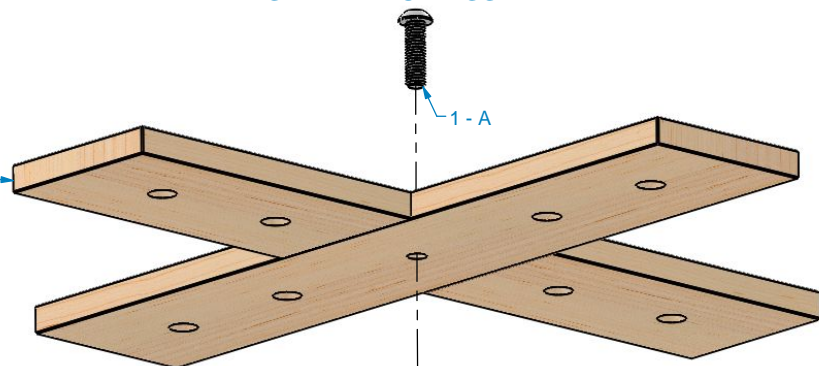
**HARDWARE:**

- 2) BOLTS
- 2) THREADED INSERTS
- 4) STRAPS
- 12) SCREWS FOR STRAPS



**EXPLODED VIEW**

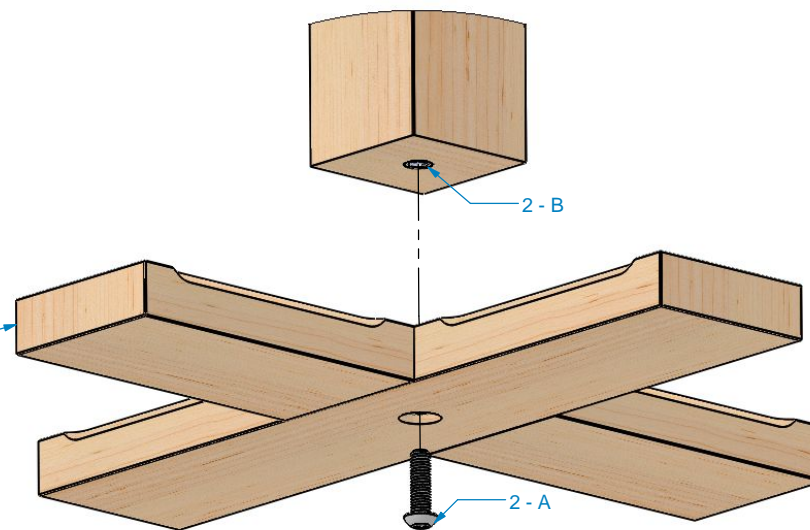
**STEP 1 - TOP ASSEMBLY**



1-A) INTERLOCK TOP .75" THICK BOARDS TOGETHER WITH THE COUNTERSUNK FACE TOWARDS THE LEG AND INSERT BOLT THROUGH BOTH PIECES AND SCREW INTO THE THREADED INSERT (1-B) IN THE TOP OF THE LEG.



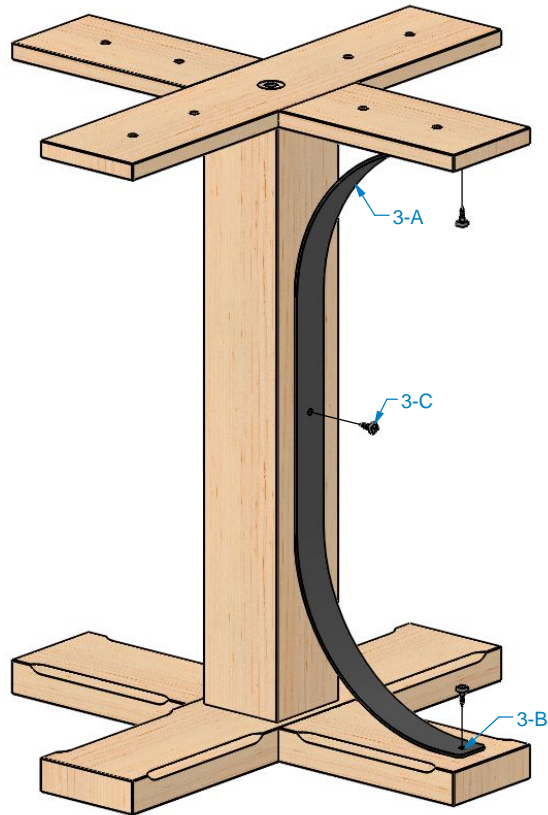
**STEP 2 - BOTTOM ASSEMBLY**



2 - A) INTERLOCK BOTTOM 1.5" THICK BOARDS TOGETHER WITH THE CHAMFERED EDGES FACING THE LEG AND INSERT THE BOLT THROUGH BOTH PIECES AND SCREW INTO THE THREADED INSERT (2-B) IN THE BOTTOM OF THE LEG.

### STEP 3 - INSTALL STRAPS

- 3-A) POSITION EACH STRAP CENTERED ON LEG
- 3-B) PRE-DRILL HOLES FOR SCREWS
- 3-C) SCREW IN SMALL LAG SCREWS WITH RUB WASHERS (3 LAG SCREWS AND WASHER FOR EACH STRAP)



### COMPLETED ASSEMBLY

