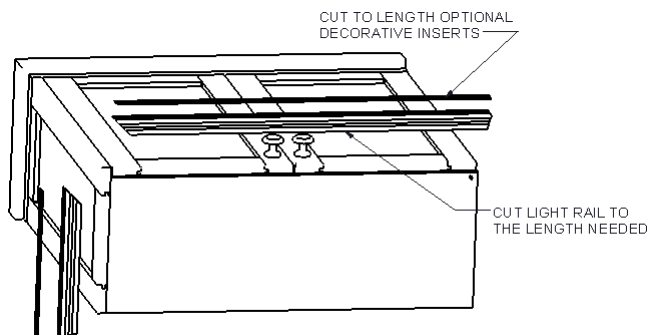
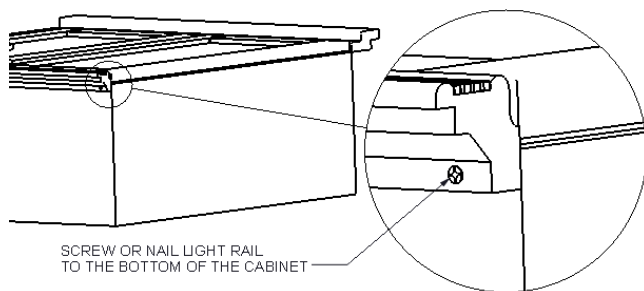


Light Ready Light Rail™ Installation Instructions

1. See that the bottom of the cabinet is clean and free from debris which may interfere with the light rail sitting flat against the cabinet bottom, or the bottom of the face frame. This is dependent on the type of cabinet construction that has been used.



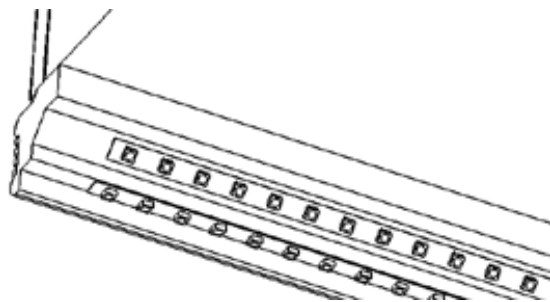
2. Attach the moulding to the bottom of the cabinet using preferred method, e.g. screws or nails.



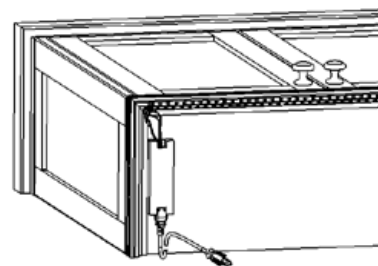
3. Once the light rail has been attached to the bottom of the cabinet you are ready to start installing the LED lighting. Because of the different manufacturers and types of lighting that can be used, we suggest you follow the manufacturer's instructions. Light Ready Light Rail is designed to fit up to 3/8" wide lighting on the 90° cut, and 5/8" wide lighting on the

45° cut.

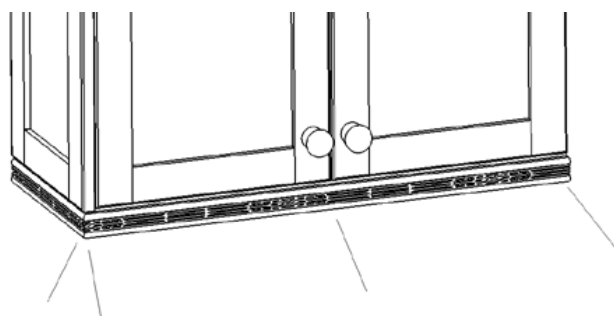
On the back side of the light rail the LED strip lighting can be applied to one or both areas depending on the amount of light desired and the type of lighting desired (ambient or task).



4. After the strip lighting has been applied to the light rail, proceed with hooking the lighting up to adjoining cabinet lights or wiring into the transformer per the light manufacturers specifications and requirements.



5. Enjoy the additional lighting.



We would love to add your work to our gallery and social media. To be featured, email photos to rjacobs@brownwoodinc.com.

Designs of Distinction[®] by Brown Wood, Inc.
7040 Lawndale Ave. Lincolnwood, IL 60712
800.328.5858
www.brownwoodinc.com

Follow us and share your photos!
@dodbybrownwood

