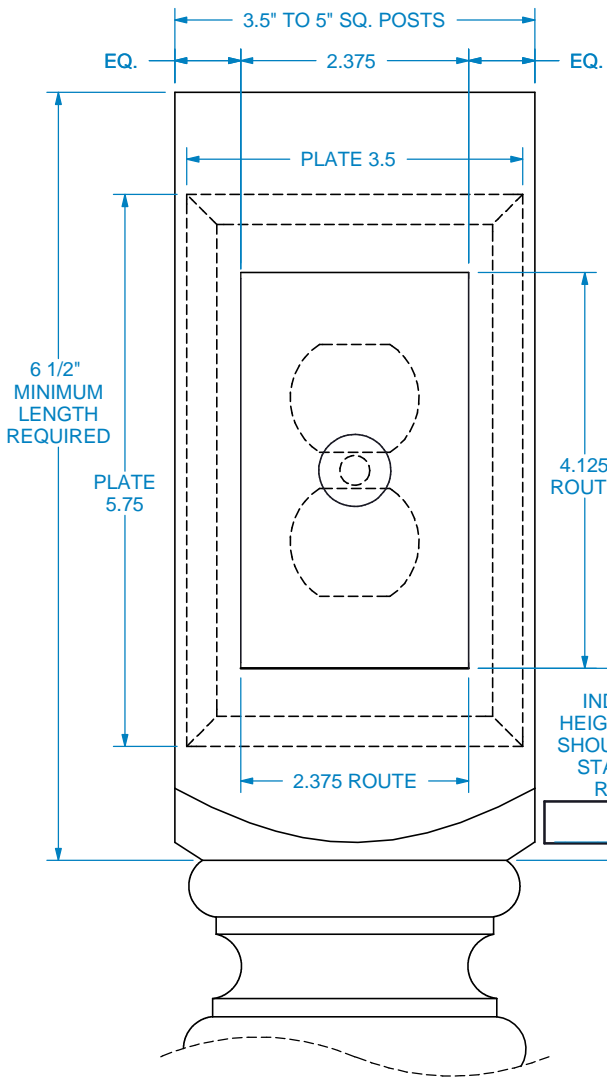
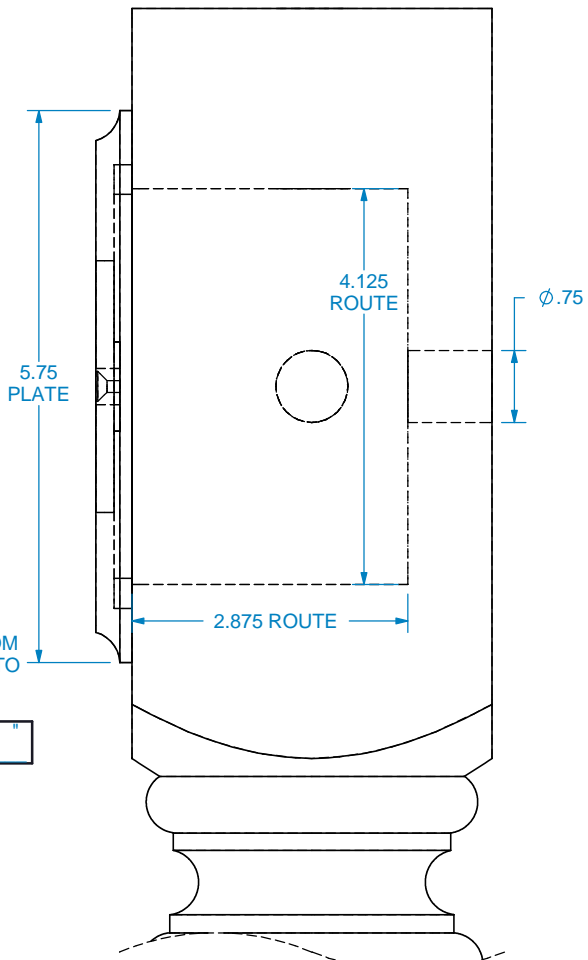


PLEASE SPECIFY HOLE LOCATION FOR WIRING

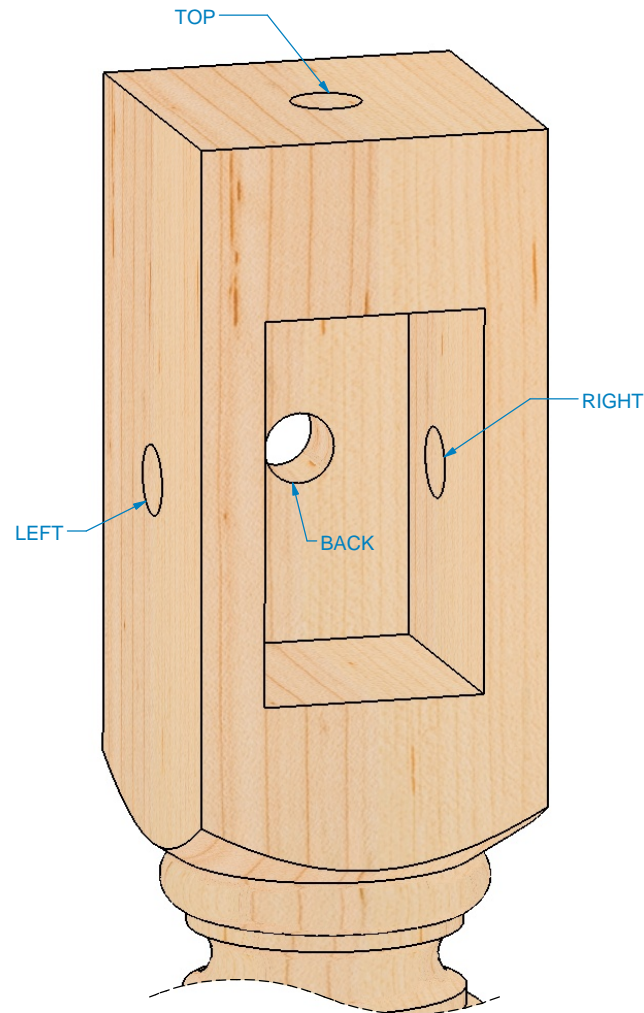
LEFT / BACK / TOP / RIGHT / NONE



FRONT VIEW



SIDE VIEW



LEG W/ ROUTE

ABBREVIATIONS FOR WOOD SPECIES: (HM) HARD MAPLE (CH) CHERRY (SM) SOFT MAPLE (AK) RED OAK (AL) ALDER (HK) HICKORY (PN) PINE (PT) PAINT GRADE SPECIFY IF OTHER

Designs of distinction
by Brown Wood, Inc.
est. 1927

ELECTRICAL BOX ROUTE OFFERED ON SELECT COLUMNS ONLY.
MINIMUM SQ. LENGTH 6 1/2" MINIMUM SQ. WIDTH SIZE 3 1/2"
BROWN WOOD PLATE COVERS MEASURE 3 1/2" X 5 3/4"
IF ROUTING ON 3 1/2" COLUMNS PLEASE BE AWARE THAT THE COVER MAY EXTEND BEYOND COLUMN WIDTH DUE TO +/- TOLERANCES OF BOTH COLUMN AND PLATE COVER.

1/2" DIAMETER HOLE DRILLED FROM CENTER OF ROUTE THROUGH BACK FOR WIRING
NO RETURNS ALLOWED ON ROUTED COLUMNS

ELECTRICAL ROUTE FORM

PART NUMBER OF COLUMN ORDERED:	
QTY:	WOOD SPECIES:
COMPANY NAME:	
PHONE #:	DATE: ___/___/___