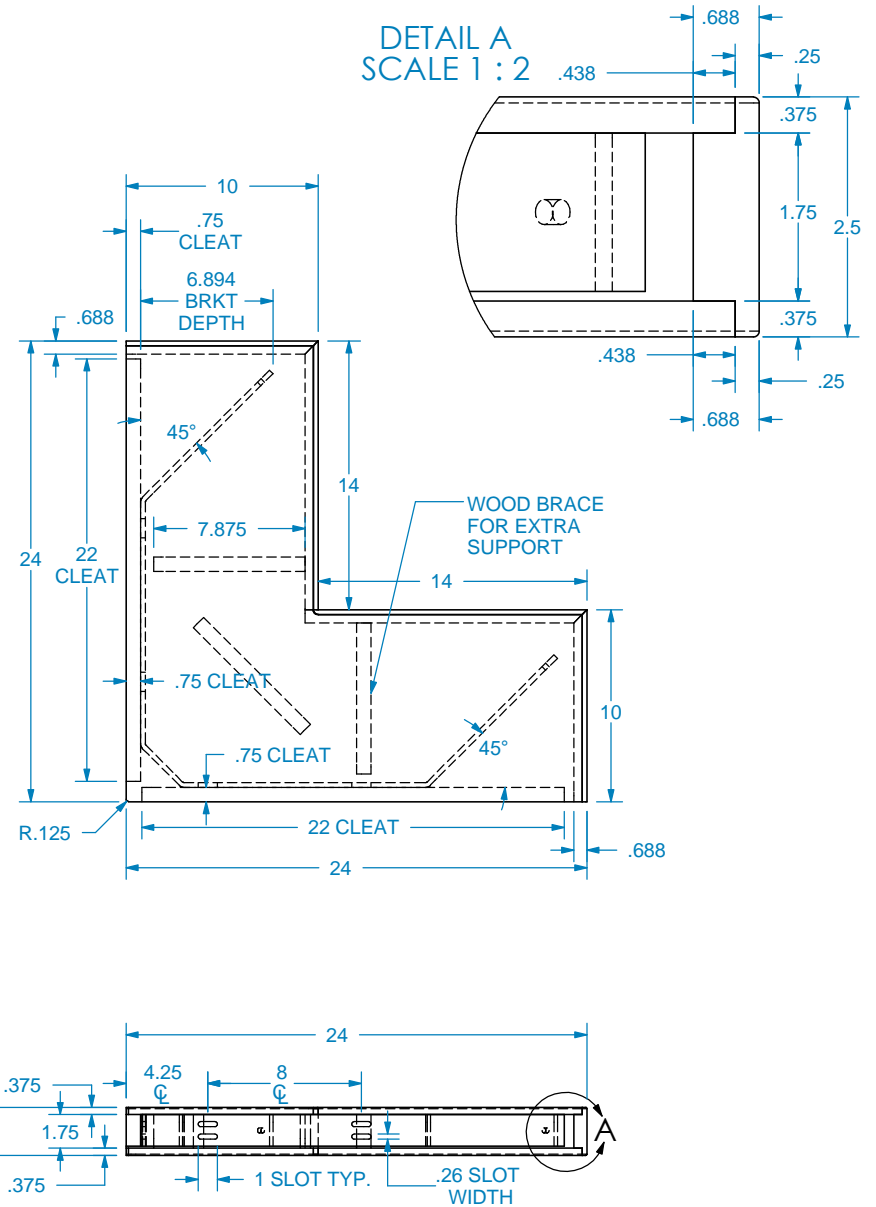
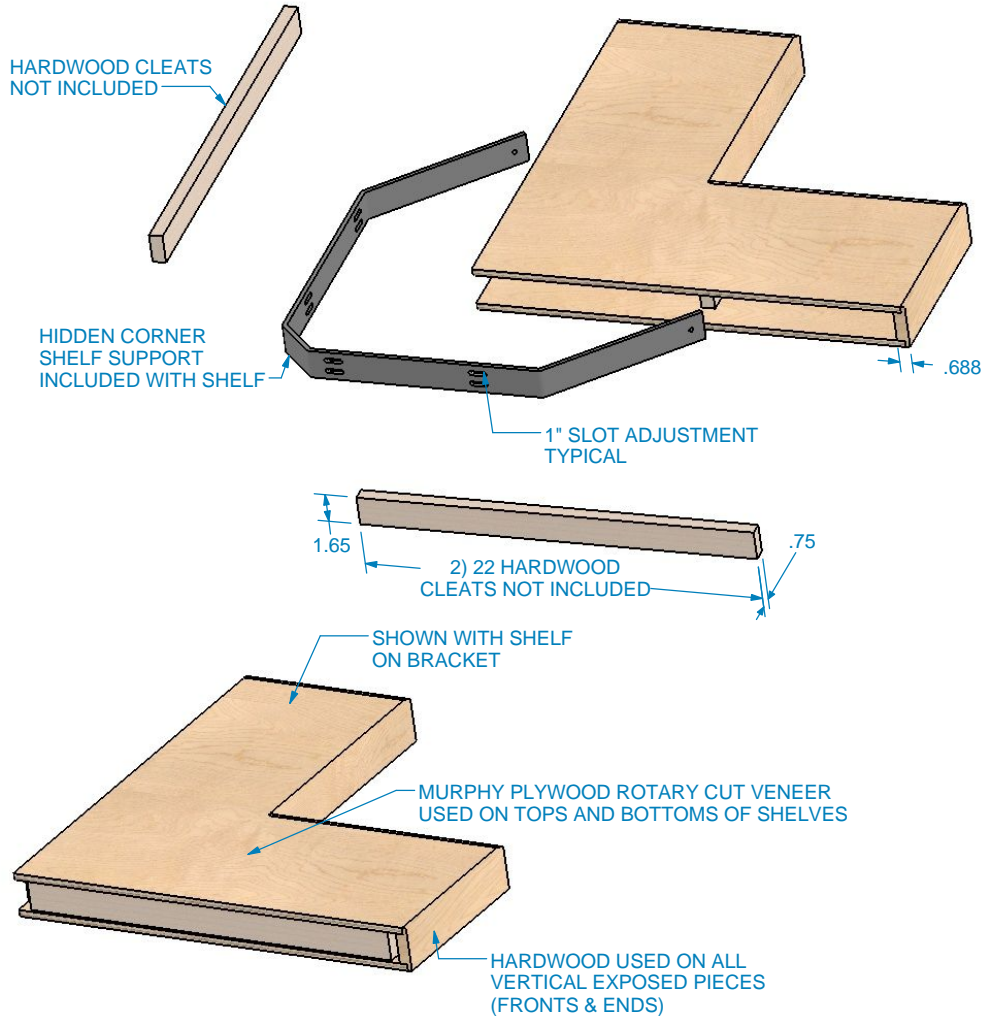


INSTALLATION INSTRUCTIONS:

1. INSTALL HARDWOOD CLEATS AGAINST WALL (NOT INCLUDED) IN THE DESIRED POSITIONS MAKING SURE TO FASTEN THEM INTO THE STUDS IN THE EXISTING WALL FOR THE BEST RESULTS AND STRENGTH.
2. BOLT OR SCREW METAL BRACKET TO THE INSTALLED HARDWOOD CLEATS OR WALL DEPENDING ON WHETHER A CLEAT HAS BEEN USED OR NOT. MAKE SURE BRACKET IS SECURELY FASTENED.
3. SLIDE SHELF OVER BRACKET USING PANEL GLUE TO FASTEN SHELF INTO PLACE OR IF A CLEAT HAS BEEN USED THE SHELF CAN BE PIN NAILED INTO THE CLEAT TO LOCK INTO POSITION.



REVISION HISTORY		
REV	REV DATE	DESCRIPTION
B		

TOLERANCES	
WIDTH	± .03125"
THICKNESS	± .03125"
LENGTH	± .0625"
ANGULAR	± x.x°
PROFILE	± x.xxx"
Use General Tolerances Unless Noted	

MATERIALS AND FINISHES
PLEASE VISIT OUR WEBSITE FOR A COMPLETE LIST.
www.brownwoodinc.com
1-800-328-5858

NOTES:
Do not scale. Use dimensions only. All dimensions are in inches unless noted

TITLE: 10" X 24" X 24" MODERN FLOATING CORNER SHELVES	
NOMINAL SIZE 24" X 24" X 2.5"	
DWG #: 01MFL102424-1	REV:
DATE: 3/1/2021	SCALE: 1:10