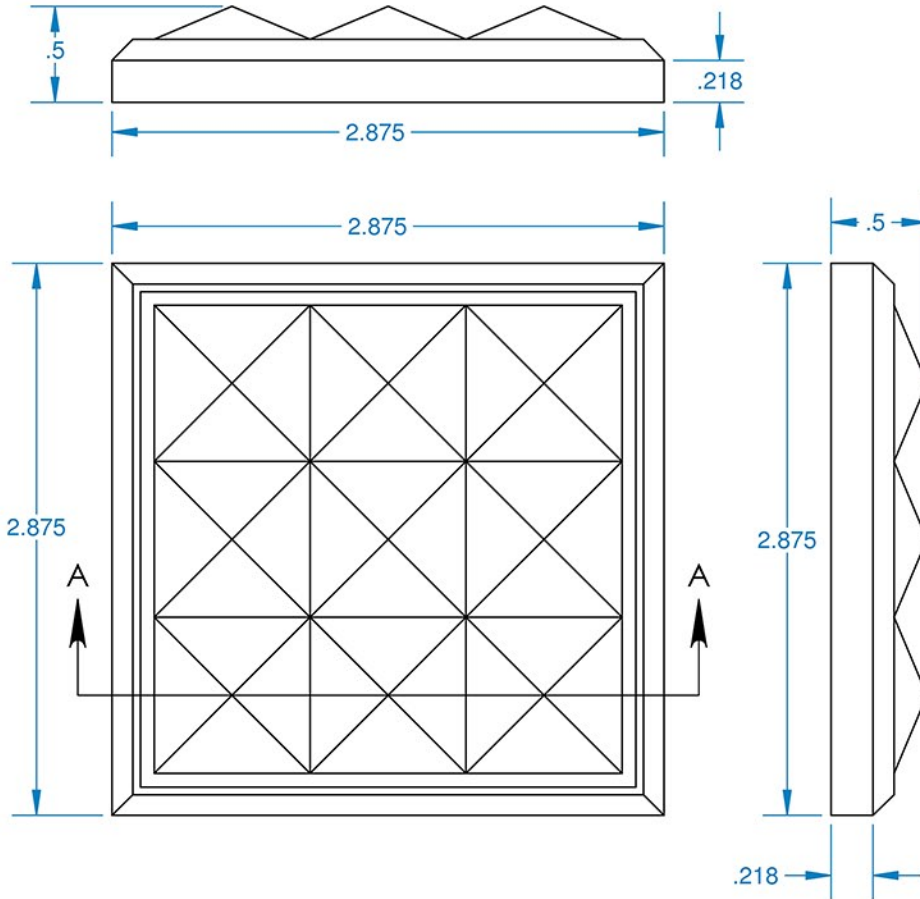
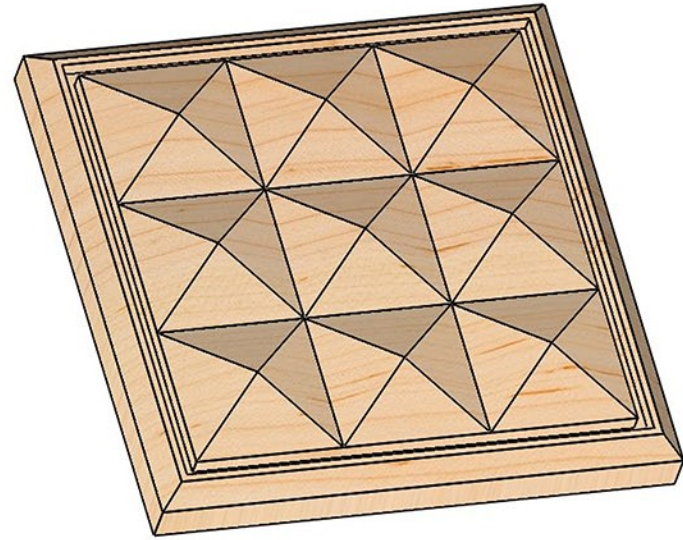


SECTION A-A



*Designs of distinction*  
by Brown Wood, Inc.  
est. 1998

REVISION HISTORY			TOLERANCES	
REV	REV DATE	DESCRIPTION	WIDTH	± .03125"
A	11/30/2015	UPDATED TO MATCH CATALOG INFORMATION	THICKNESS	± .03125"
			LENGTH	± .0625"
			ANGULAR	± x.x°
			PROFILE	± x.xxx"
			Use General Tolerances Unless Noted	

MATERIALS AND FINISHES
PLEASE VISIT OUR WEBSITE FOR A COMPLETE LIST. <a href="http://www.brownwoodinc.com">www.brownwoodinc.com</a> 1-800-328-5858
NOTES: ADDITIONAL SPECIES AVAILABLE
Do not scale. Use dimensions only. All dimensions are in inches unless noted

TITLE: SMALL APEX TILE
NOMINAL SIZE 2.938" X .5" X 2.938"
DWG #: <b>01901017-1</b>   REV: A
DATE: 11/30/2015   SCALE: 1:1