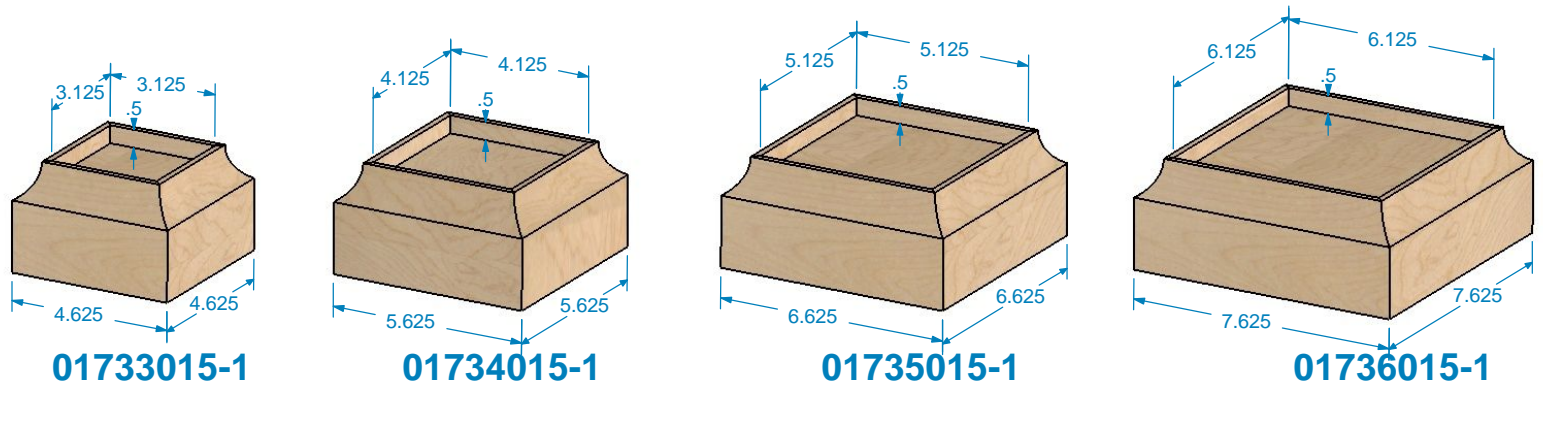


SECTION A-A
SCALE 1 : 2

INFORMATION ON CONTEMPORARY BASES		
PART NUMBER	DESCRIPTION	SIZE
01733015-1	3" CONTEMPORARY BASE	4.625" X 4.625" X 3"
01734015-1	4" CONTEMPORARY BASE	5.625" X 5.625" X 3"
01735015-1	5" CONTEMPORARY BASE	6.625" X 6.625" X 3"
01736015-1	6" CONTEMPORARY BASE	7.625" X 7.625" X 3"

SQUARE COLUMNS REFERENCE GUIDE				
DESCRIPTION	LENGTH	ITEM #	LENGTH	ITEM #
3" SQUARE COLUMN	35.25"	01623010-1	42.25"	01633010-1
4" SQUARE COLUMN	35.25"	01624010-1	42.25"	01634010-1
5" SQUARE COLUMN	35.25"	01625010-1	42.25"	01635010-1
6" SQUARE COLUMN	35.25"	01626010-1	42.25"	01636010-1



REVISION HISTORY			TOLERANCES	
REV	REV DATE	DESCRIPTION	WIDTH	± .03125"
A	8-15-2019	INCREASED HEIGHT TO 3"	THICKNESS	± .03125"
			LENGTH	± .0625"
			ANGULAR	± x.x°
			PROFILE	± x.xxx"
			Use General Tolerances Unless Noted	

MATERIALS AND FINISHES	
PLEASE VISIT OUR WEBSITE FOR A COMPLETE LIST. www.brownwoodinc.com 1-800-328-5858	
NOTES:	
Do not scale. Use dimensions only. All dimensions are in inches unless noted	

TITLE: CONTEMPORARY BASE	
NOMINAL SIZE SEE TABLE ABOVE	
DWG #: 01733015-1 01734015-1 01735015-1 01736015-1	REV:
DATE: 6/29/2020	SCALE: 1:8