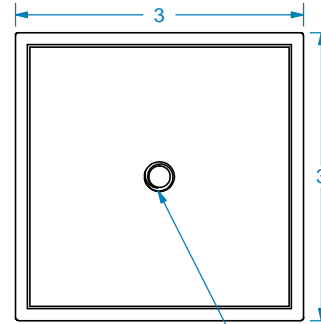
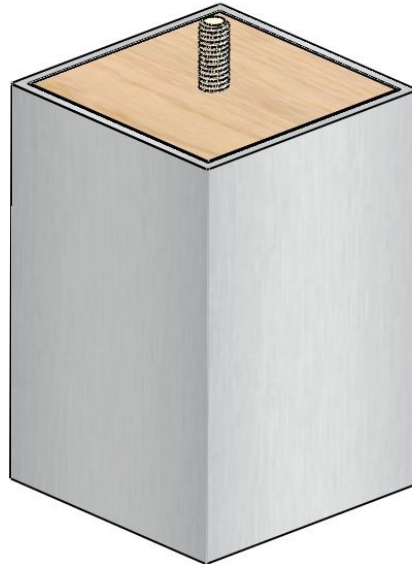
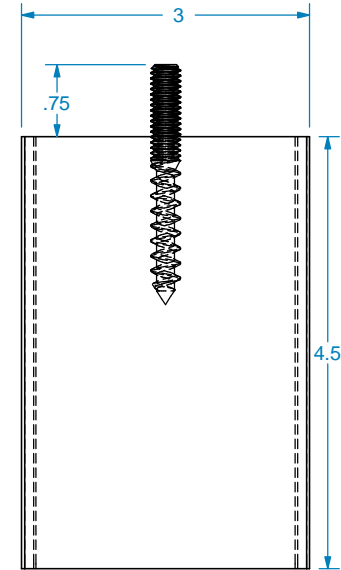
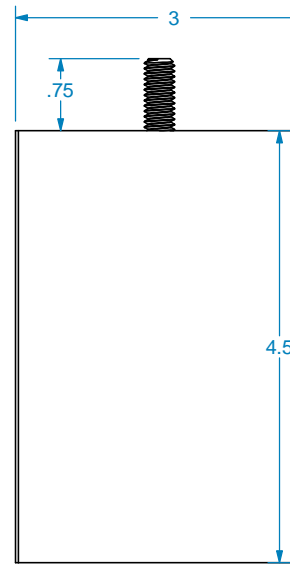


BLOCKING IS FULL HEIGHT OF SLEEVE AND SENT LOOSE. GLUED IN PLACE BY OTHERS



HANGER BOLT WITH 5/16-18 THREADS



Designs of distinction
by Brown Wood, Inc.
est. 1998

REVISION HISTORY		
REV	REV DATE	DESCRIPTION

TOLERANCES	
WIDTH	± .03125"
THICKNESS	± .03125"
LENGTH	± .0625"
ANGULAR	± x.x°
PROFILE	± x.xxx"
Use General Tolerances Unless Noted	

MATERIALS AND FINISHES	
PLEASE VISIT OUR WEBSITE FOR A COMPLETE LIST. www.brownwoodinc.com 1-800-328-5858	
NOTES:	
Do not scale. Use dimensions only. All dimensions are in inches unless noted	

TITLE: 3" SQUARE ALUMINUM SLEEVE WITH BLOCKING - 4.5" TALL - WITH BOLT NOMINAL SIZE 3" X 3" X 4.5"	
DWG #: 01700345-6	REV:
DATE: 3/10/2020	SCALE: 1:2