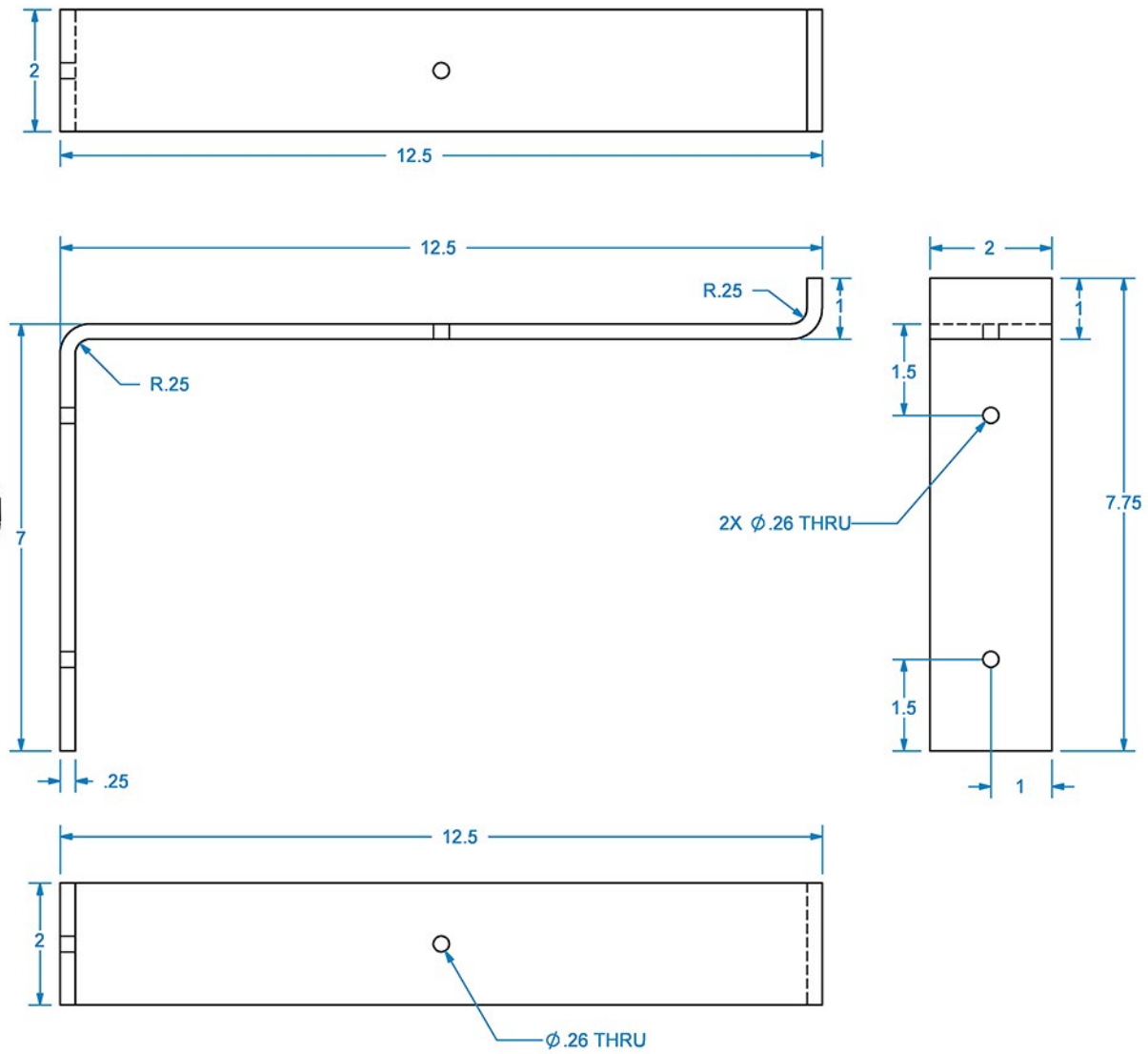


STAINLESS STEEL VESION IS ALSO AVAILABLE, SEE DRAWING 01651260SS1 (ALL HOLES ARE CONUTERSUNK ON THE STAINLESS STEEL VERSION)



REVISION HISTORY		
REV	REV DATE	DESCRIPTION

TOLERANCES	
WIDTH	± .03125"
THICKNESS	± .03125"
LENGTH	± .0625"
ANGULAR	± x.x°
PROFILE	± x.xxx"
Use General Tolerances Unless Noted	

MATERIALS AND FINISHES
 PLEASE VISIT OUR WEBSITE FOR A COMPLETE LIST.
www.brownwoodinc.com
 1-800-328-5858

(GR) GUN METAL GREY
 (SN) SATIN NICKEL
 (WR) WROUGHT IRON

Do not scale. Use dimensions only. All dimensions are in inches unless noted

TITLE: 12" TRUSS BRACKET	
NOMINAL SIZE 2" X 6" X 12.5"	
DWG #: 01651260-1	REV:
DATE: 11/17/2017	SCALE: 1:3