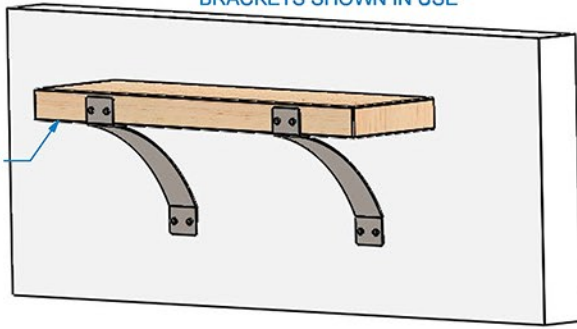


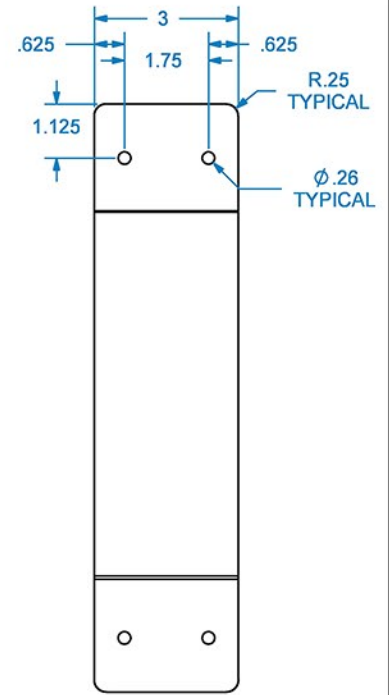
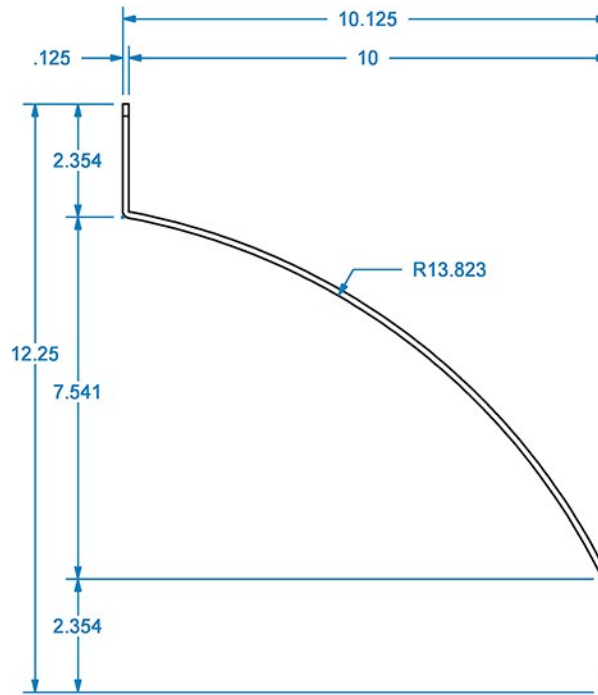
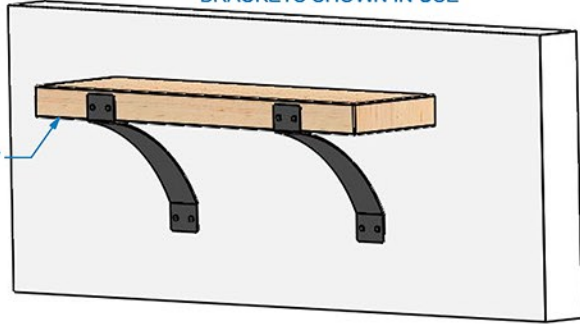
STAINLESS STEEL
BRACKETS SHOWN IN USE

SHELF SHOWN
IS PART #
01FL102410-1
SOLD SEPARATELY

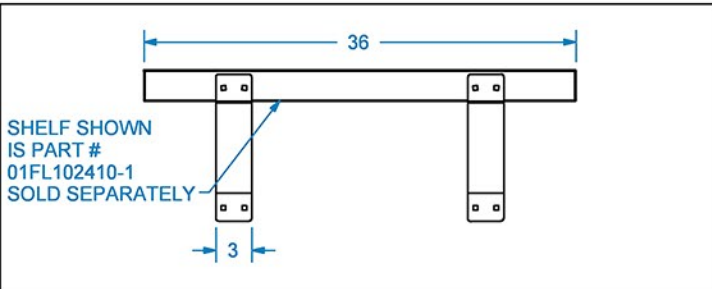
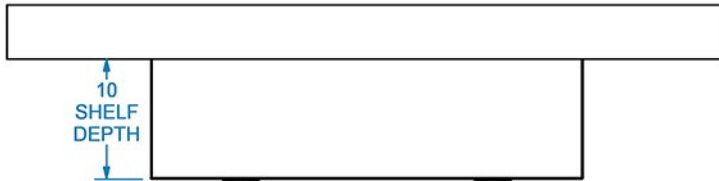


WROUGHT IRON
BRACKETS SHOWN IN USE

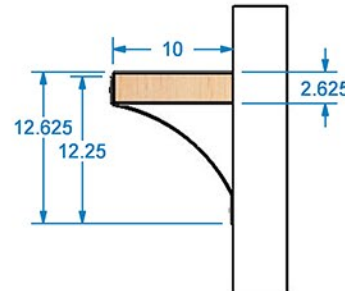
SHELF SHOWN
IS PART #
01FL102410-1
SOLD SEPARATELY



10
SHELF
DEPTH

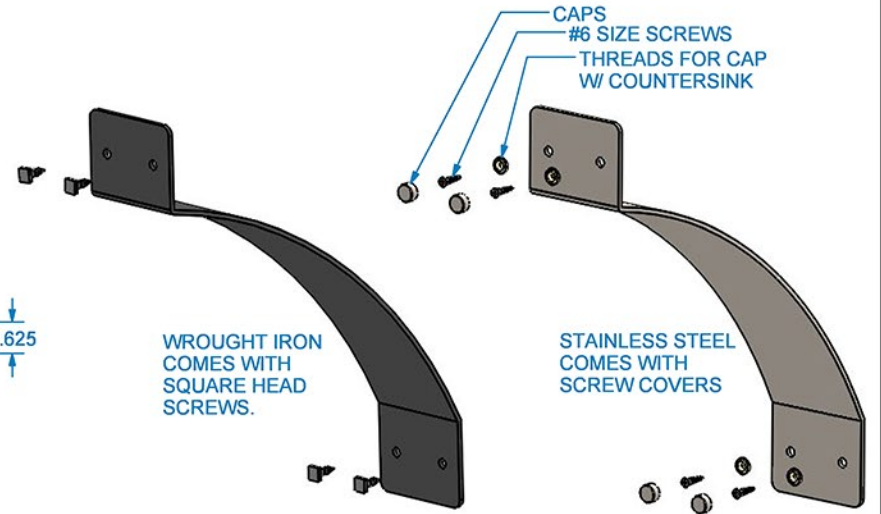


SHELF SHOWN
IS PART #
01FL102410-1
SOLD SEPARATELY



WROUGHT IRON
COMES WITH
SQUARE HEAD
SCREWS.

STAINLESS STEEL
COMES WITH
SCREW COVERS



*Designs of
distinction*
by Brown Wood, Inc.
est. 1998

REVISION HISTORY

REV	REV DATE	DESCRIPTION

TOLERANCES

WIDTH	± .03125"
THICKNESS	± .03125"
LENGTH	± .0625"
ANGULAR	± x.x°
PROFILE	± x.xxx"
Use General Tolerances Unless Noted	

MATERIALS AND FINISHES

PLEASE VISIT OUR WEBSITE FOR A COMPLETE LIST.
www.brownwoodinc.com
1-800-328-5858
NOTES: ADDITIONAL SPECIES AVAILABLE
Do not scale. Use dimensions only. All dimensions are in inches unless noted

TITLE: 10" LEXINGTON SHELF STRAP

NOMINAL SIZE
3" X 10.125" X 12.25"

DWG #: **01651090-1** REV:

DATE: 11/10/2017

SCALE: 1:16