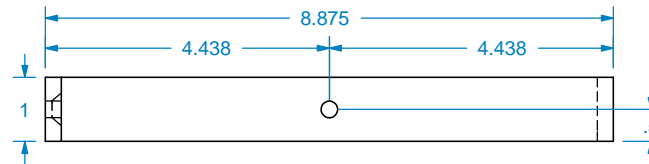
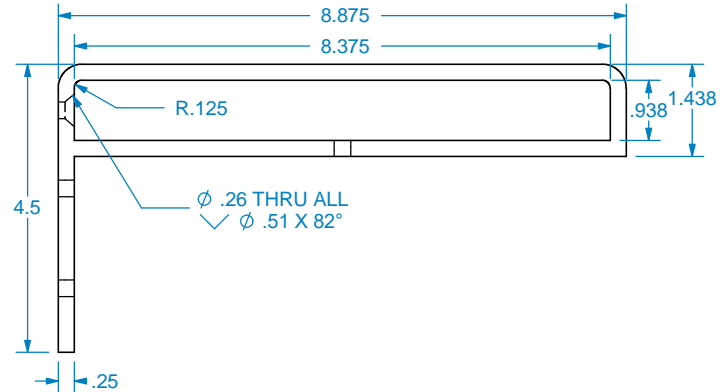
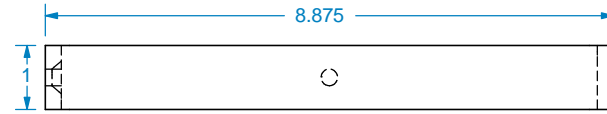
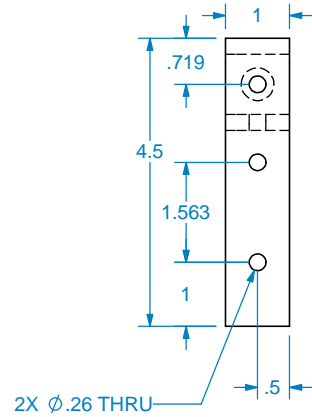


Ø .26 THRU ALL  
 ✓ Ø .51 X 82°



REVISION HISTORY		
REV	REV DATE	DESCRIPTION
A	8-12-2019	INCREASED THE DEPTH BY .125"

TOLERANCES	
WIDTH	± .03125"
THICKNESS	± .03125"
LENGTH	± .0625"
ANGULAR	± x.x°
PROFILE	± x.xxx"
Use General Tolerances Unless Noted	

**MATERIALS AND FINISHES**  
 PLEASE VISIT OUR WEBSITE FOR A COMPLETE LIST.  
[www.brownwoodinc.com](http://www.brownwoodinc.com)  
 1-800-328-5858

**NOTES:**  
 Do not scale. Use dimensions only. All dimensions are in inches unless noted

<b>TITLE:</b>	<b>8" TRUSS STRAP</b>
<b>NOMINAL SIZE</b> 1" X 8.875" X 4.5"	
DWG #: <b>01650850-1</b>	REV: <b>A</b>
DATE: <b>8/12/2019</b>	SCALE: <b>1:3</b>