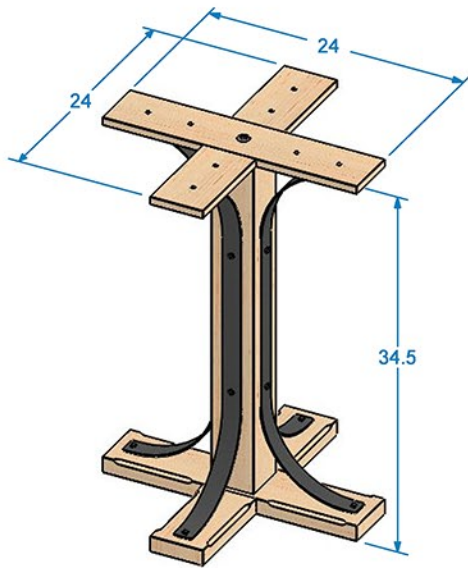
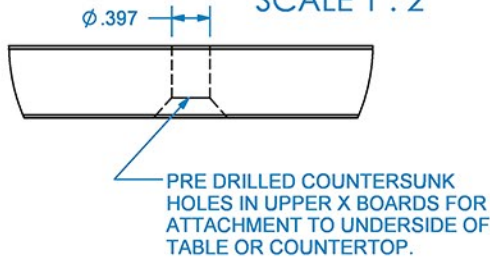
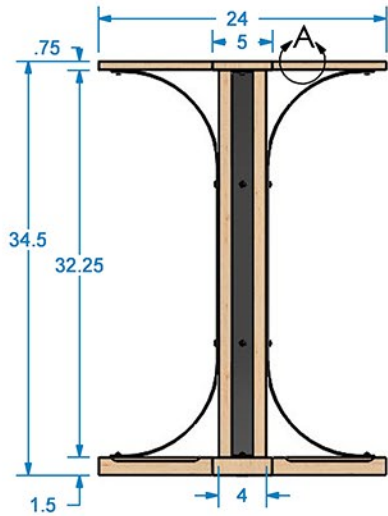


DETAIL A
SCALE 1 : 2

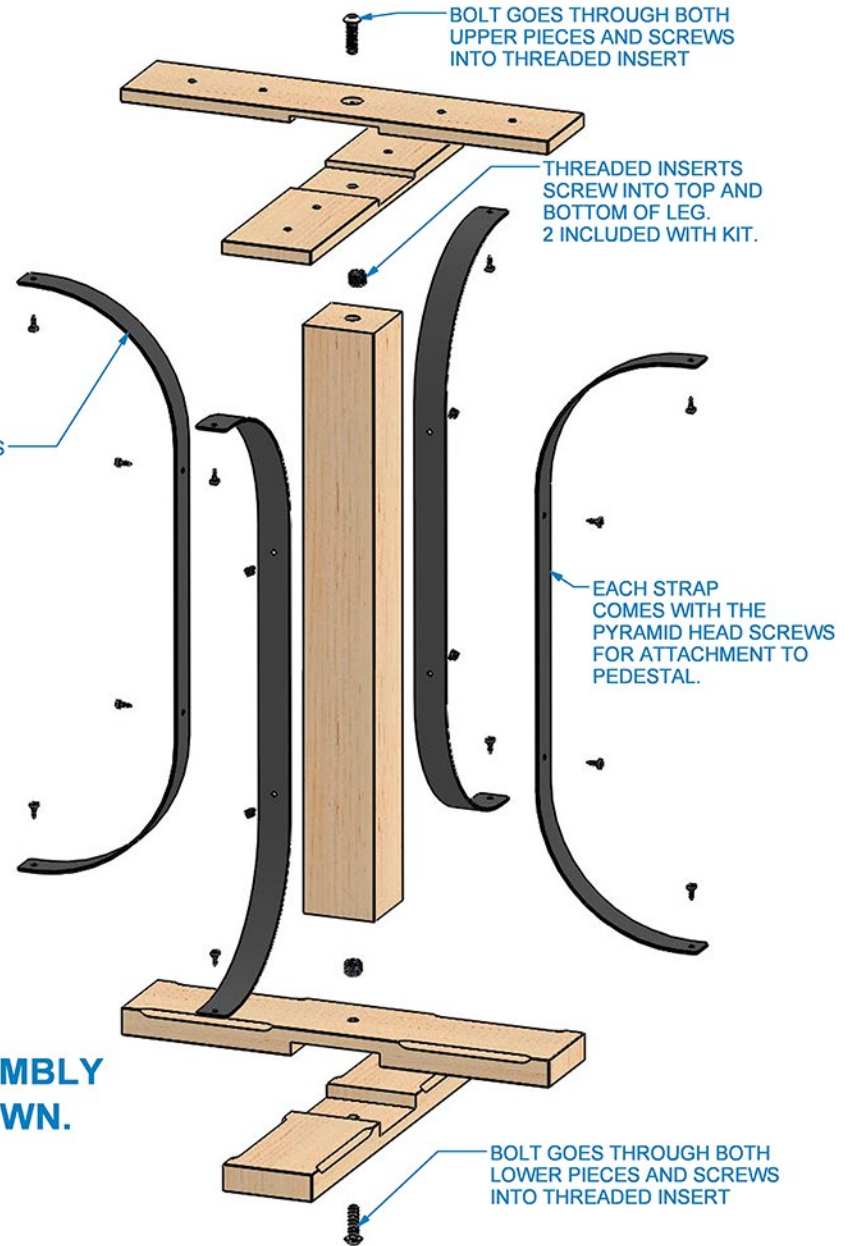


ASSEMBLED VIEW OF PEDESTAL KIT

EXPLODED VIEW OF KIT ASSEMBLY WITH EVERYTHING IN KIT SHOWN.

KIT COMES UNASSEMBLED

WROUGHT IRON FINISH ON METAL STRAPS AND SCREWS



Designs of distinction
by Brown Wood, Inc.
est. 1998

REVISION HISTORY		
REV	REV DATE	DESCRIPTION

TOLERANCES	
WIDTH	± .03125"
THICKNESS	± .03125"
LENGTH	± .0625"
ANGULAR	± x.x°
PROFILE	± x.xxx"
Use General Tolerances Unless Noted	

MATERIALS AND FINISHES	
PLEASE VISIT OUR WEBSITE FOR A COMPLETE LIST. www.brownwoodinc.com 1-800-328-5858	
NOTES: ADDITIONAL SPECIES AVAILABLE	
Do not scale. Use dimensions only. All dimensions are in inches unless noted	

TITLE: 4" LEXINGTON ISLAND PEDESTAL KIT	
NOMINAL SIZE 24" X 24" X 34.5"	
DWG #: 01634090-1	REV:
DATE: 6/9/2017	SCALE: 1:16