

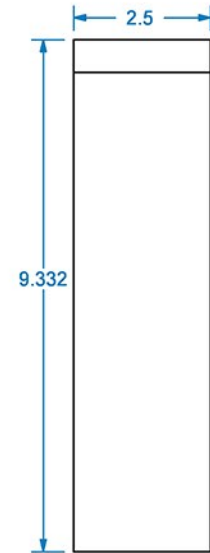
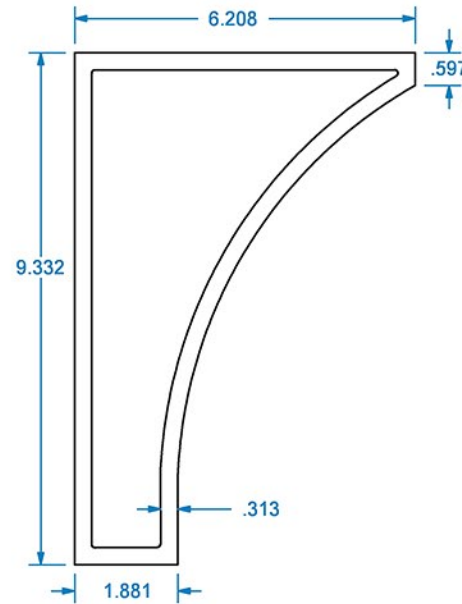
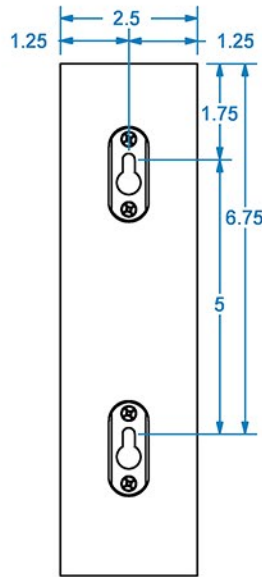
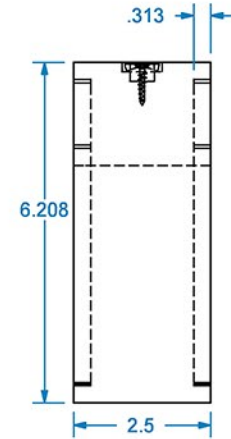
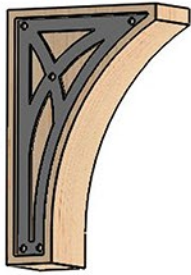
**QUICK REFERENCE FOR LARGE BUNGALOW CORBELS**

**PLAIN**  
01601450-1

**ABBEY**  
01641451-1

**BASILICA**  
01641452-1

**TUDOR**  
01641453-1



REVISION HISTORY		
REV	REV DATE	DESCRIPTION
A	11/06/2015	UPDATED TO MATCH CATLOG INFORMATION

TOLERANCES	
WIDTH	± .03125"
THICKNESS	± .03125"
LENGTH	± .0625"
ANGULAR	± x.x°
PROFILE	± x.xxx"
Use General Tolerances Unless Noted	

MATERIALS AND FINISHES	
PLEASE VISIT OUR WEBSITE FOR A COMPLETE LIST. <a href="http://www.brownwoodinc.com">www.brownwoodinc.com</a> 1-800-328-5858	
NOTES: ADDITIONAL SPECIES AVAILABLE	
Do not scale. Use dimensions only. All dimensions are in inches unless noted	

TITLE: LARGE PLAIN BUNGALOW CORBEL	
NOMINAL SIZE 2.5" X 6.208" X 9.332"	
DWG #: <b>01601450-1</b>	REV: A
DATE: 10/14/2017	SCALE: 1:3.5