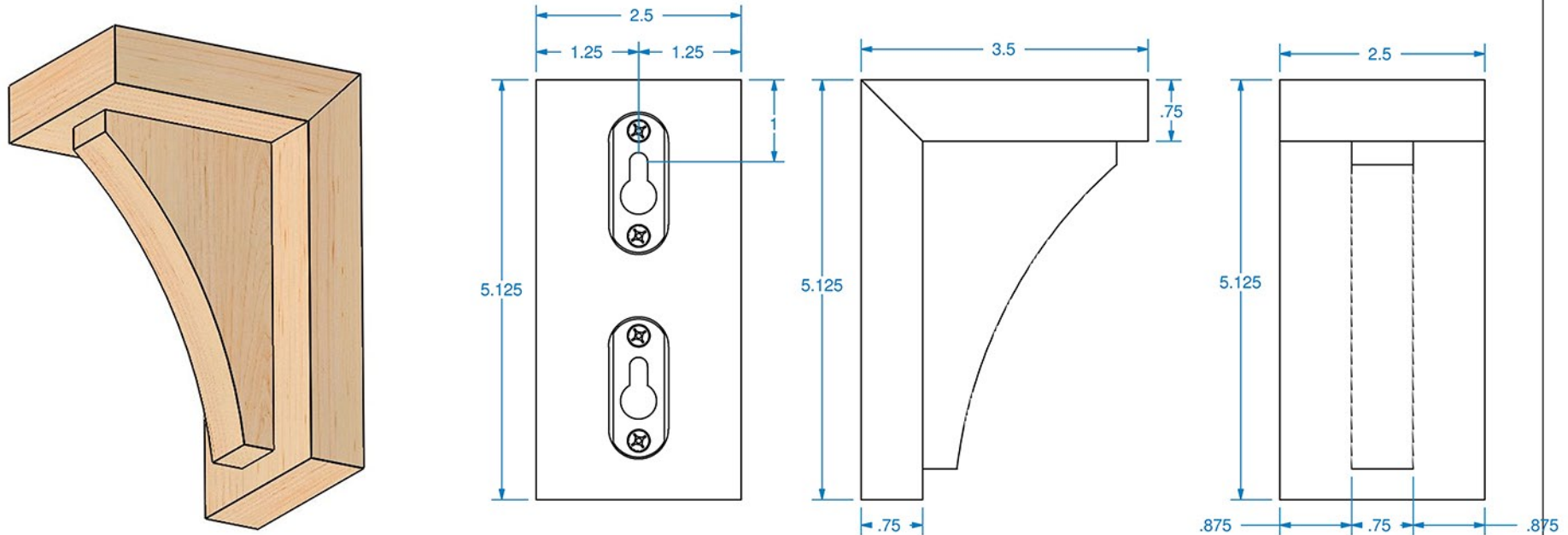
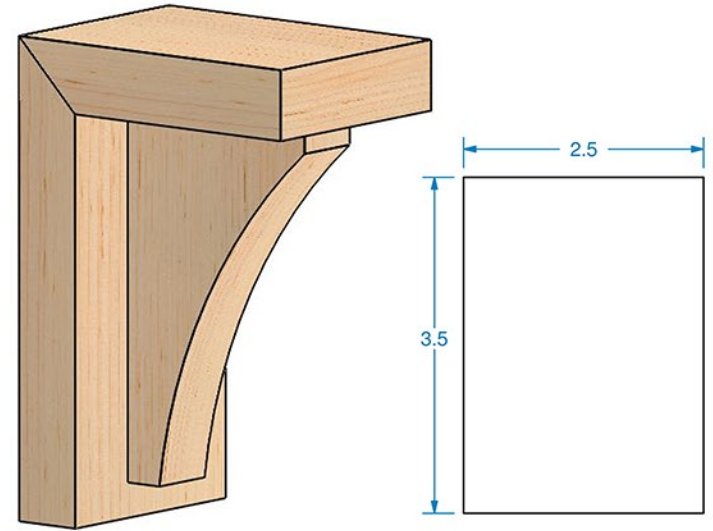
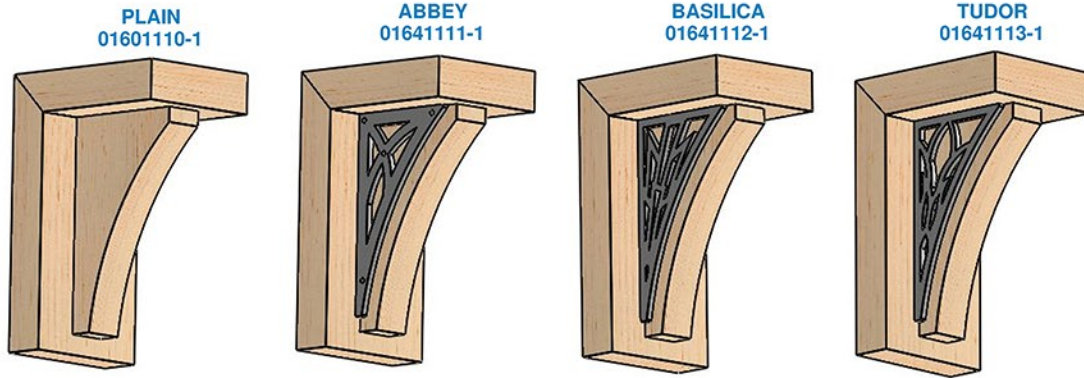


QUICK REFERENCE FOR SMALL BUNGALOW BRACKETS



*Designs of distinction*  
by Brown Wood, Inc.  
est. 1998

REVISION HISTORY		
REV	REV DATE	DESCRIPTION

TOLERANCES	
WIDTH	± .03125"
THICKNESS	± .03125"
LENGTH	± .0625"
ANGULAR	± x.x°
PROFILE	± x.xxx"
Use General Tolerances Unless Noted	

**MATERIALS AND FINISHES**  
PLEASE VISIT OUR WEBSITE FOR A COMPLETE LIST.  
[www.brownwoodinc.com](http://www.brownwoodinc.com)  
1-800-328-5858

**NOTES:** ADDITIONAL SPECIES AVAILABLE

Do not scale. Use dimensions only. All dimensions are in inches unless noted

<b>TITLE: SMALL PLAIN BUNGALOW BRACKET</b>	
NOMINAL SIZE 2" X 3.5" 5.125"	
DWG #: <b>01601110-1</b>	REV: A
DATE: 5/31/2018	SCALE: 1:2