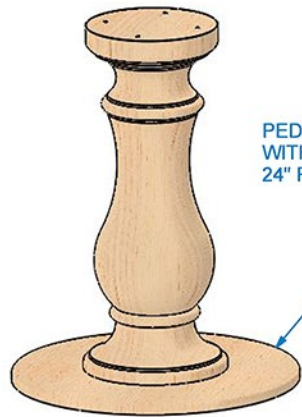
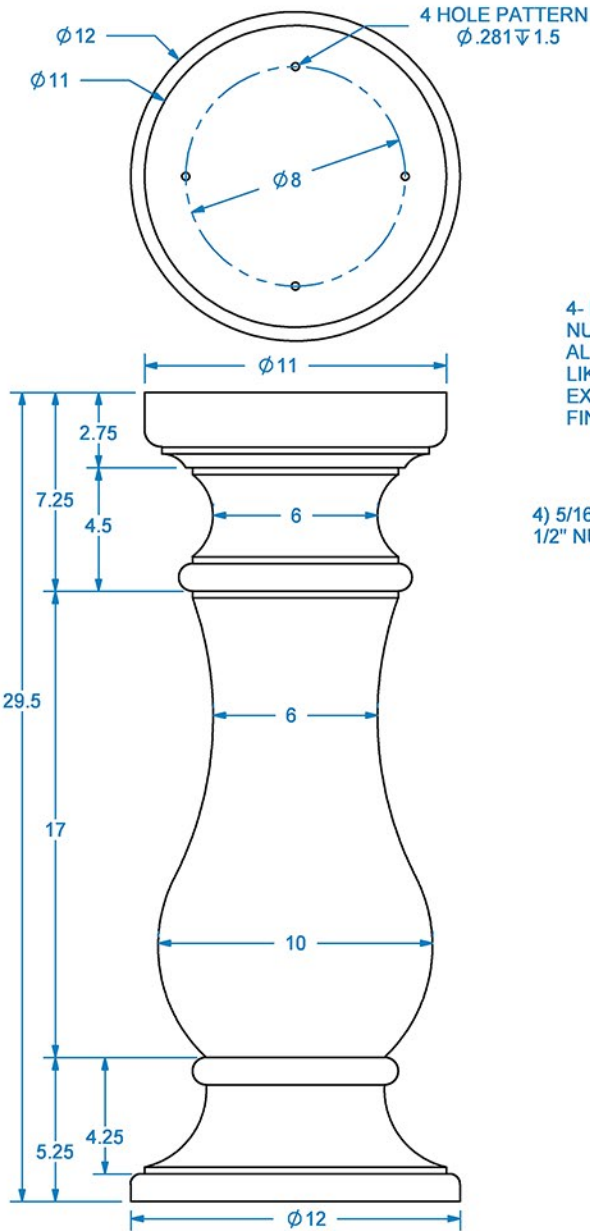


ADDITIONAL 24" ROUND DISK  
PART # 01932410-1  
SOLD SEPARATELY



PEDISTAL SHOWN WITH ADDITIONAL 24" ROUND DISK

ADDITIONAL 24" ROUND DISK  
PART # 01932410-1  
SOLD SEPARATELY



### HOW TO INSTALL HANGER BOLTS (1/2" WRENCH NEEDED)

- 1- THREAD THE 2 SUPPLIED 1/2" NUTS ONTO THE MACHINE SIDE OF THE HANGER BOLT AND TIGHTEN AGAINST EACH OTHER AS SHOWN.
- 2- USE 1/2" WRENCH AND TIGHTEN HANGER BOLT INTO THE PRE DRILLED HOLES, USING A SLIGHT DOWNWARD PRESSURE IN A CLOCKWISE DIRECTION.
- 3- TIGHTEN INTO HOLE LEAVING 1 1/2" STICKING UP

- 4- REMOVE BOTH NUTS FROM BOLT. ALL 4 SHOULD LOOK LIKE THIS WITH 1 1/2" EXPOSED WHEN FINISHED

- 4) 5/16" BOLTS AND 2 1/2" NUTS PROVIDED IN KIT.



*Designs of distinction*  
by Brown Wood, Inc.  
est. 1998

REVISION HISTORY		
REV	REV DATE	DESCRIPTION

TOLERANCES	
WIDTH	± .03125"
THICKNESS	± .03125"
LENGTH	± .0625"
ANGULAR	± x.x°
PROFILE	± x.xxx"
Use General Tolerances Unless Noted	

MATERIALS AND FINISHES	
PLEASE VISIT OUR WEBSITE FOR A COMPLETE LIST. <a href="http://www.brownwoodinc.com">www.brownwoodinc.com</a> 1-800-328-5858	
NOTES: ADDITIONAL SPECIES AVAILABLE	
Do not scale. Use dimensions only. All dimensions are in inches unless noted	

TITLE:	29.5" CHARLESTON PEDESTAL	
	NOMINAL SIZE 12" X 12" X 29.5"	
DWG #:	01290180-1	REV:
DATE:	6/22/2017	SCALE:
		1:16