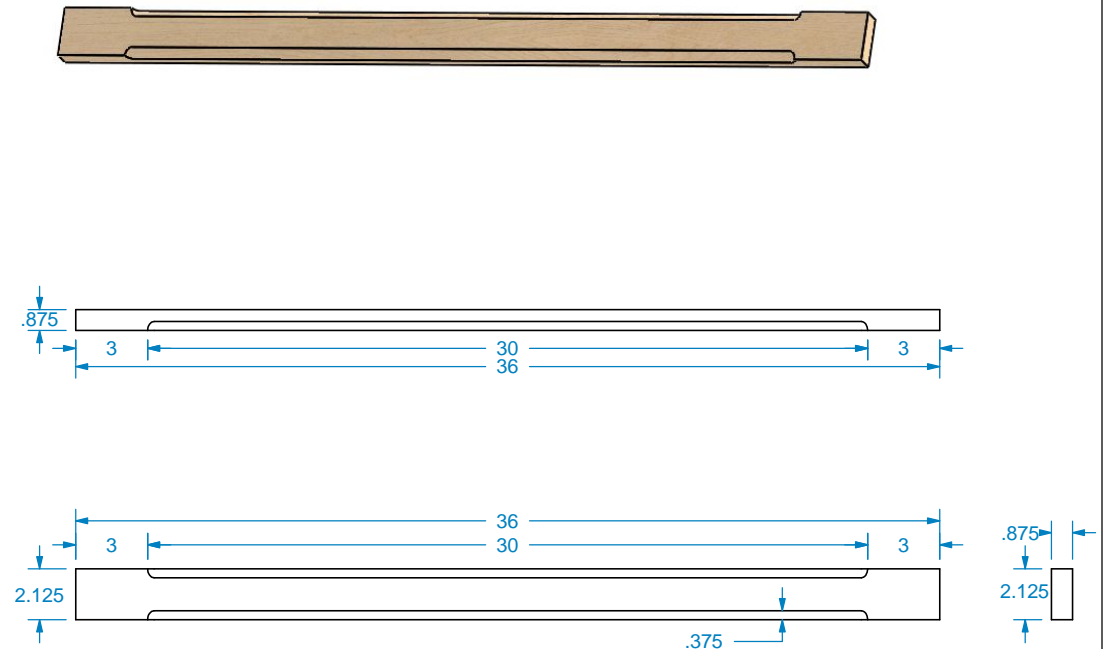
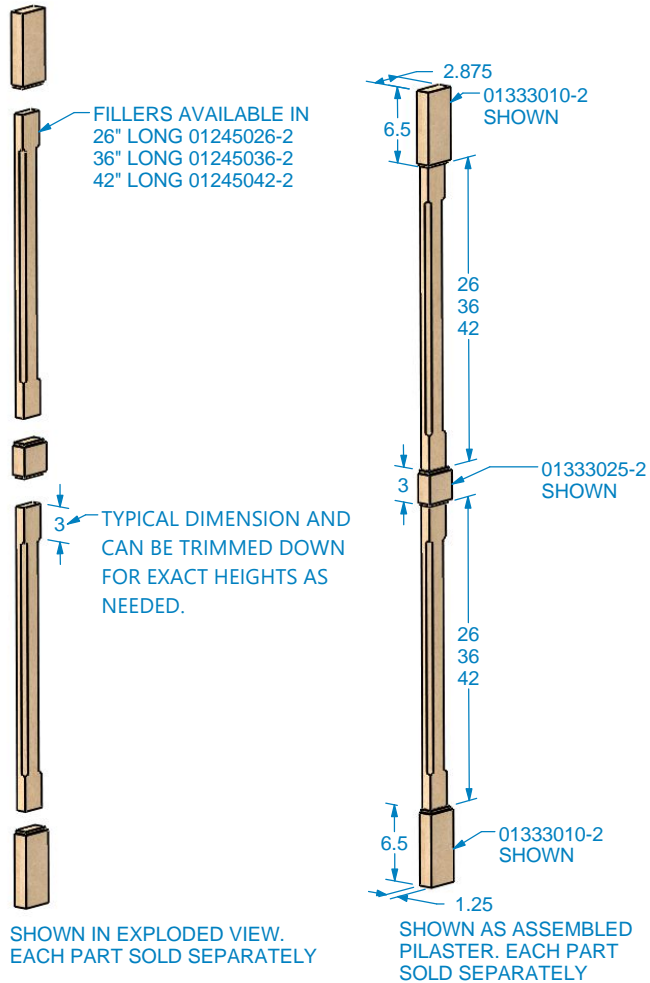


METRO CREATE-A-COLUMN OPTIONS

MIX AND MATCH PARTS TO ACHIEVE THE OVERALL HEIGHT THAT IS NEEDED.



Designs of
distinction
by Brown Wood, Inc.
est. 1998

REVISION HISTORY		
REV	REV DATE	DESCRIPTION

TOLERANCES	
WIDTH	± .03125"
THICKNESS	± .03125"
LENGTH	± .0625"
ANGULAR	± x.x°
PROFILE	± x.xxx"
Use General Tolerances Unless Noted	

MATERIALS AND FINISHES	
PLEASE VISIT OUR WEBSITE FOR A COMPLETE LIST. www.brownwoodinc.com 1-800-328-5858	
NOTES:	
Do not scale. Use dimensions only. All dimensions are in inches unless noted	

TITLE: 36" PILASTER FILLER	
NOMINAL SIZE 2.125" X .875" X 36"	
DWG #: 01245036-2	REV:
DATE: 6/6/2019	SCALE: 1:8